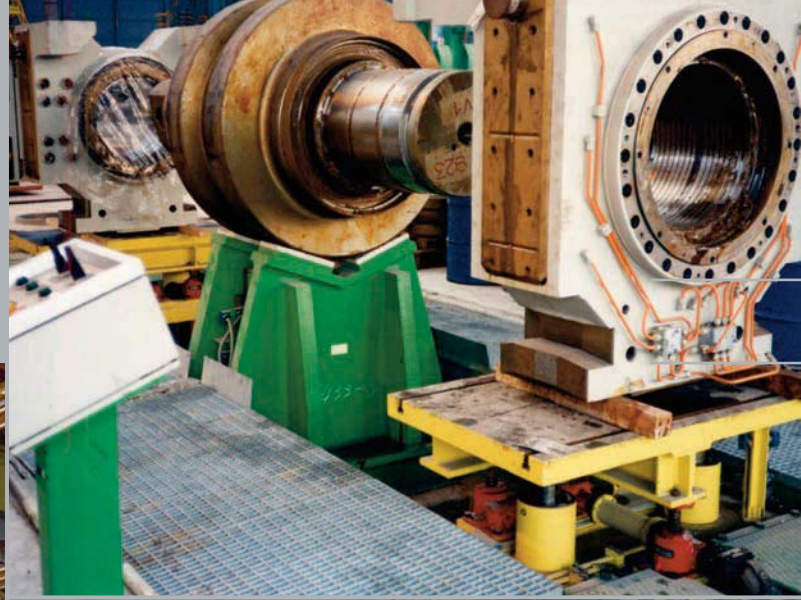
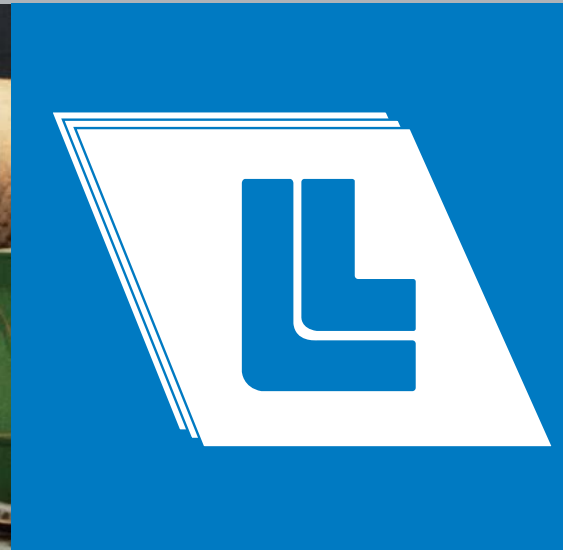


LAZZARI



Officine meccaniche Impianti industriali S.p.A.



LAZZARI



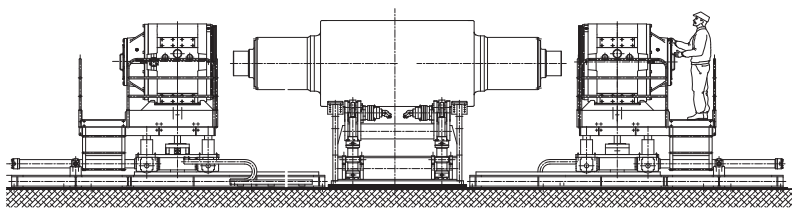
Edger roll tilter



Transfer car

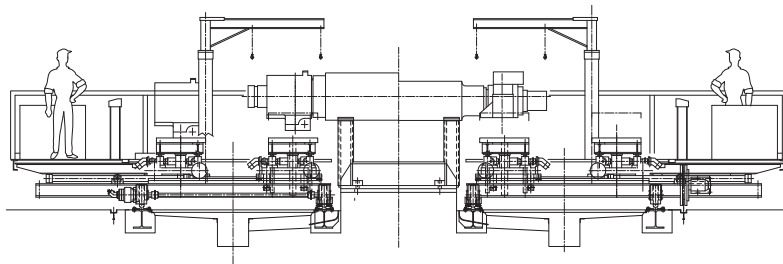
LAZZARI BUR Chocking/Dechocking equipment (with the possibility of soft loader system)

Equipment type mm	Roll diameters inch	Model
BUR CRM	800 - 1200	BURD 1200
BUR HSM	1000 - 1600	BURD 1600



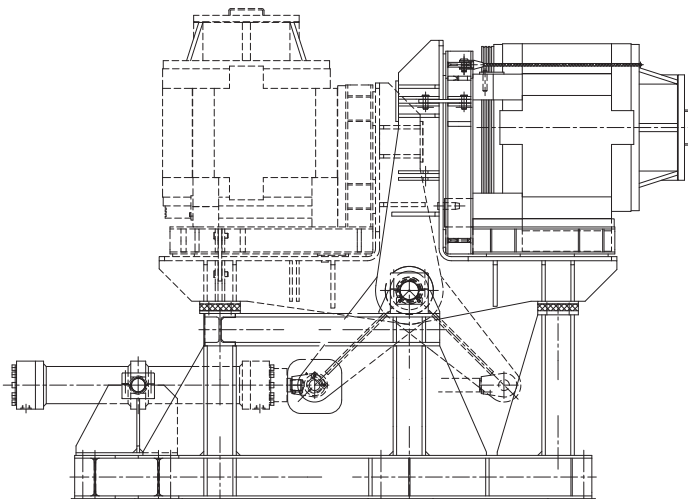
LAZZARI WR Chocking/Dechocking equipment

Equipment type mm	Roll diameters mm	Model
WR AL	200 - 600	WRD 600
WR CRM	400 - 700	WRD 700
WR HSM	400 - 900	WRD 900



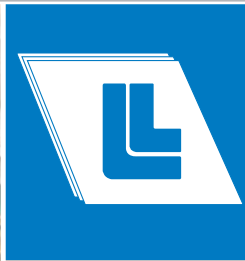
LAZZARI Chock tilter

Equipment type	Chock weight M Tons	Model
Chock tilter 10	10	CHTL 10
Chock tilter 15	15	CHTL 15
Chock tilter 20	20	CHTL 20





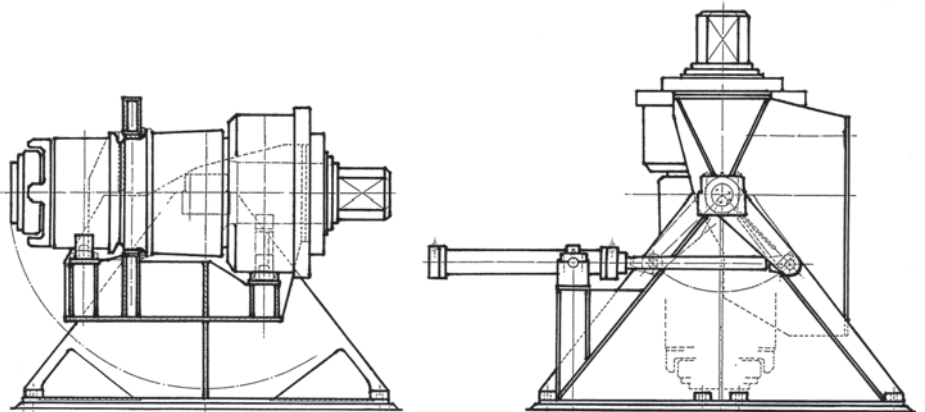
WR Dechocker



BUR Dechocker

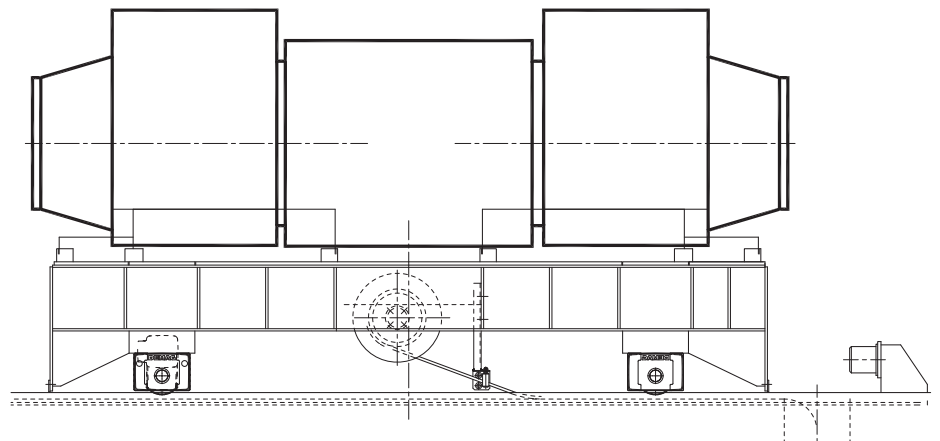
LAZZARI Edger naked Roll tilter

Equipment type	Edger weight M Tons	Model
Edger roll tilter	10	10 ERTL 10
Edger roll tilter	15	15 ERTL 15
Edger roll tilter	20	20 ERTL 20



LAZZARI Transfer car

Weight to be transported M Tons	Model
100	TC100
150	TC150
200	TC200
250	TC250





LAZZARI

LAZZARI - OFFICINE MECCANICHE
IMPIANTI INDUSTRIALI - S.p.A.

Via A. Volta, 3
24036 PONTE S.PIETRO (BG) - ITALY
Tel. +39 035 611316 Fax +39 035 612402
e-mail:lazzari@lazzarigroup.com

www.lazzarigroup.com

